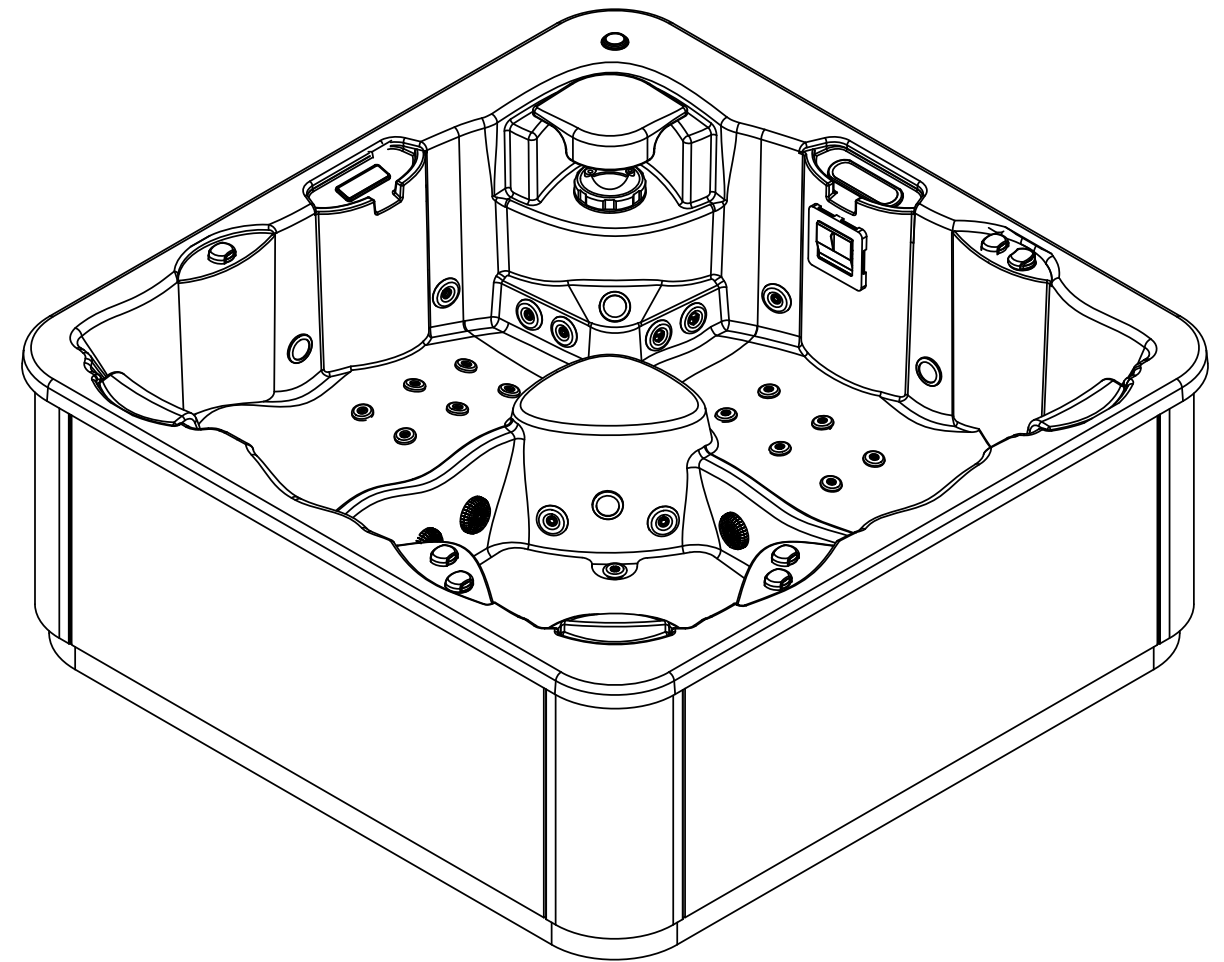


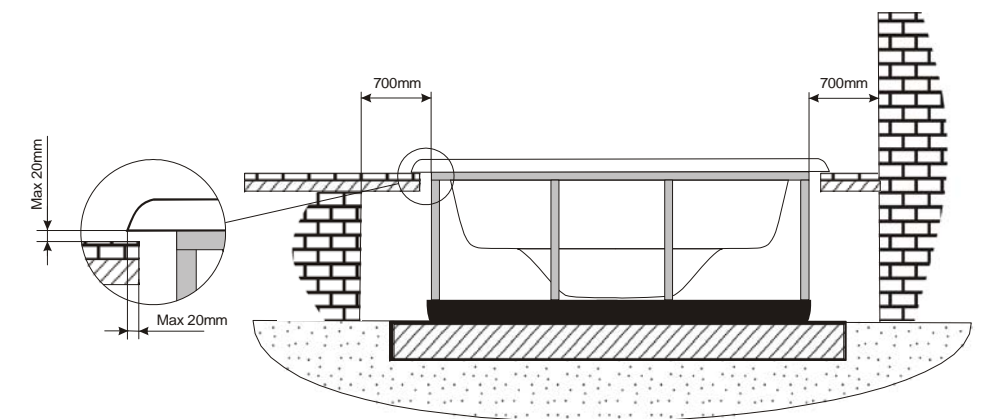
↑                      ↑  
ELECTRICAL BOARD CONNECTIONS ACCESS



**Inground option**

**WARNING:**

It's essential to keep a minimum clearance access of **700mm** all around.

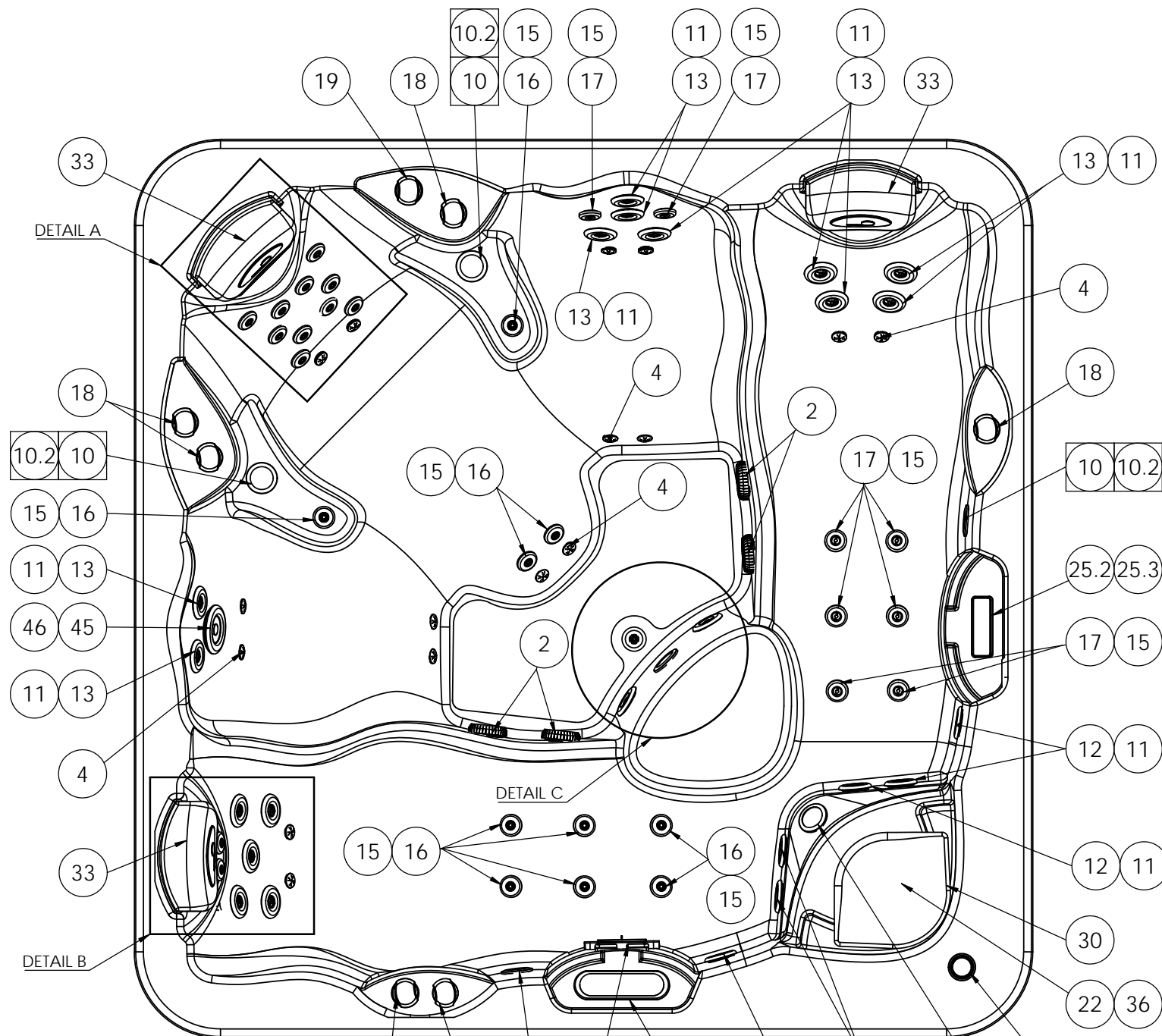


According to our policy of continuous improvement, dimensions, features or components of this product can be partially or completely changed without prior notice.  
It's Customer responsibility to verify that this is the last version of the drawing

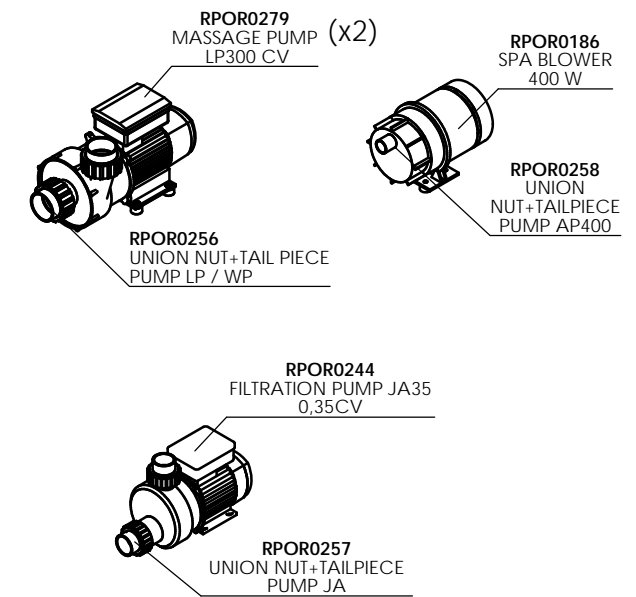
Change No.	Date	Name	Modification
03	17/11/2014	I.Pozo	New spare template
02	25/03/2014	X.Codina	Actualitzat a nou format
01	21/05/2012	I.Nicolas	Drawing release

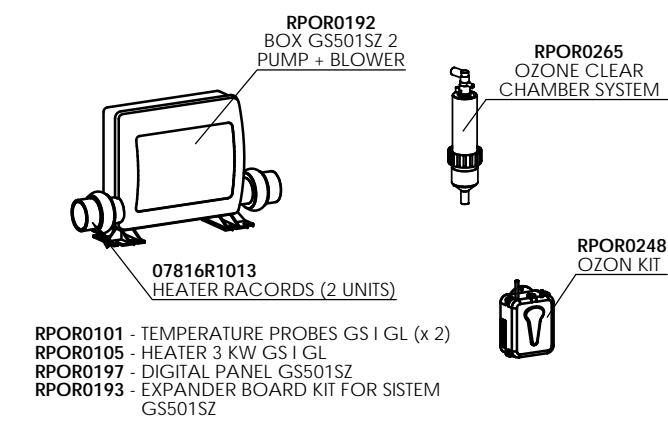
Remarks Dimensions in mm. General Tolerances +/- 10mm			<b>COMMERCIAL</b>		
Drawn	21/05/2013	J.Jorba		Part Number <b>32474</b>	Rev. <b>03</b>
Checked	-	I.Nicolas			
Scale 1:20	General Tolerance DIN 7168 ISO 2768g				First Angle Projection 
Sheet 1/2	Property of IBERSPA S.L. Avda. Pla d'Urgell 2-8 25200 Cervera, Spain. Don't use without permission. Keep this information confidential and use it solely for the permitted purpose.				



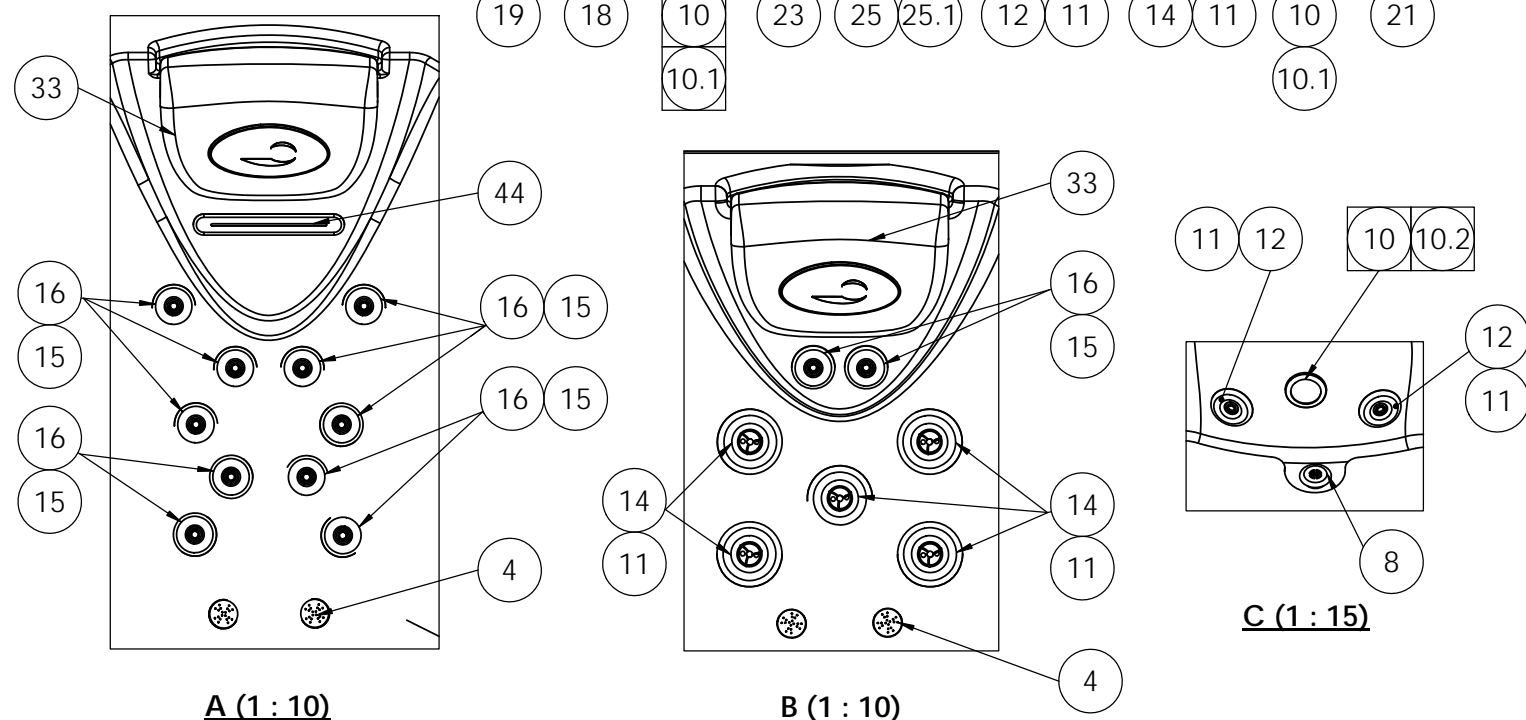
**PUMPS SPARE CODES**



**HEATER AND DESINFECTION SPARE CODES**



ACCESSORIES			
Position Num.	Part Nº SPARE	Description SPARE	Quant.
2	RPOR0225	GREY SPA DRAIN 2" ADAPTOR SOCKET D.50	4
4	REMP0046	WHITE-STAINLESS STEEL AIR NOZZLE	16
8	RPOR0003	GREY DRAIN SET - BODY+COVER+ASSEMBLY	1
10	RPOR0239	SPOTLIGHT LED SET RD	6
10.1	RPOR0240	MASTER LED LIGHT	2
10.2	RPOR0252	LED SLAVE LIGHT	4
11	RPOR0236	JET BODY SET RD 3"	23
12	RPOR0231	FRONTAL JET 3" STAINLESS STEEL DIRECTIONAL	6
13	RPOR0232	FRONTAL JET 3" STAINLESS STEEL 1 JET ROTO	10
14	RPOR0233	FRONTAL JET 3" STAINLESS STEEL TWIN ROTO	7
15	RPOR0235	JET BODY SET RD 2"	30
16	RPOR0230	FRONTAL JET 2" STAINLESS STEEL DIRECTIONAL	22
17	RPOR0260	JET TWIN ROTO 2" INOX	8
18	RPOR0261	VENTURY CONTROLLER SS	5
19	RPOR0263	VALVE ON-OFF 1" SS	2
21	RPOR0264	AROMA DISPENSER ASM LIT	1
22	RPOR0119	PRESSURE FILTER 2"	1
23	RPOR0178	SKIMMER FILTER GRIS for preassure filter	1
25	RPOR0196	DIGITAL PANEL VL700+COVER 2 PUMP + BLOWER	1
25.1	RPOR0202	COVER DIGITAL PANEL VL700 2 PUMP + BLOWER	1
25.2	RPOR0219	AUXILIARY PANEL VL700	1
25.3	RPOR0203	COVER AUXILIARY PANEL VL700	1
30	RPOR0156	SKIMFILTER COVER	1
33	RPOR0094	BIG HEADREST - PACIFIC-ANTARTIC-EVOLUTION	3
36	RPOR0120	PRESSURE FILTER CARTRIDGE	1
44	RPOR0036	GREY WATERFALL	1
45	RPOR0234	FRONTAL JET 5" STAINLESS STEEL DIRECTIONAL	1
46	RPOR0237	JET BODY SET RD 5"	1
49	RPOR0136	DRAIN FILL VALVE (BLACK)	1



According to our policy of continuous improvement, dimensions, features or components of this product can be partially or completely changed without prior notice. It's Customer responsibility to verify that this is the last version of the drawing

Change No.	Date	Name	Modification
03	17/11/2014	I.Pozo	New spare template
02	25/03/2014	X.Codina	Actualitzat a nou format
01	21/05/2012	I.Nicolas	Drawing release

Remarks			SPARE PARTS DRAWING		
Dimensions in mm. General Tolerances +/- 10mm					
Drawn	21/05/2013	J.Jorba		Part Number	32474
Checked	-	I.Nicolas		Rev.	03
Scale	1:15	General Tolerance DIN 7168 ISO 2768g		First Angle Projection	
Sheet	2/2		Property of IBERSPA S.L. Avda. Pla d'Urgell 2-8 25200 Cervera, Spain. Don't use without permission. Keep this information confidential and use it solely for the permitted purpose.		