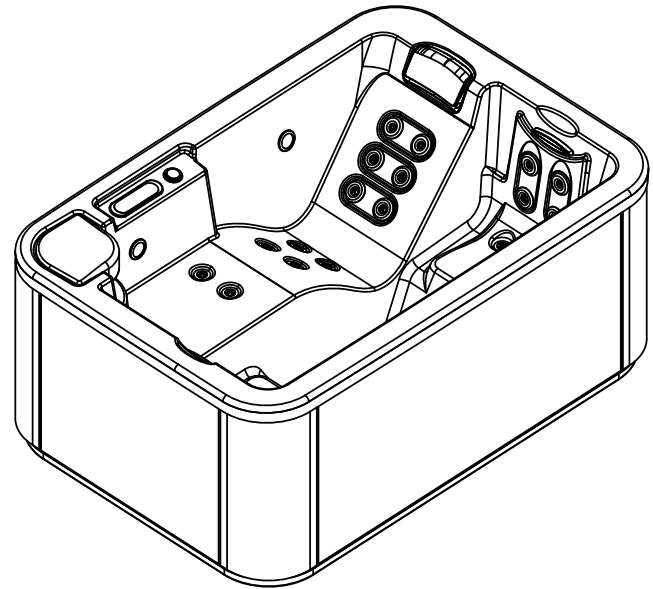
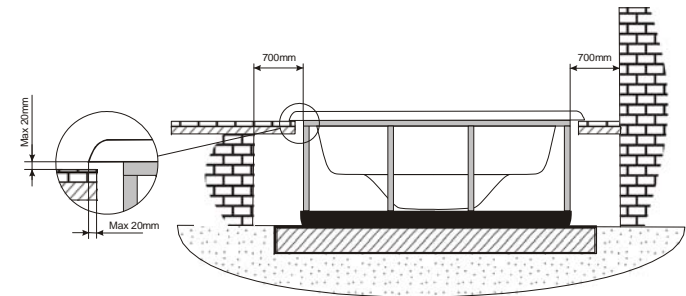


ELECTRICAL BOARD CONNECTIONS ACCESS



**Inground option**

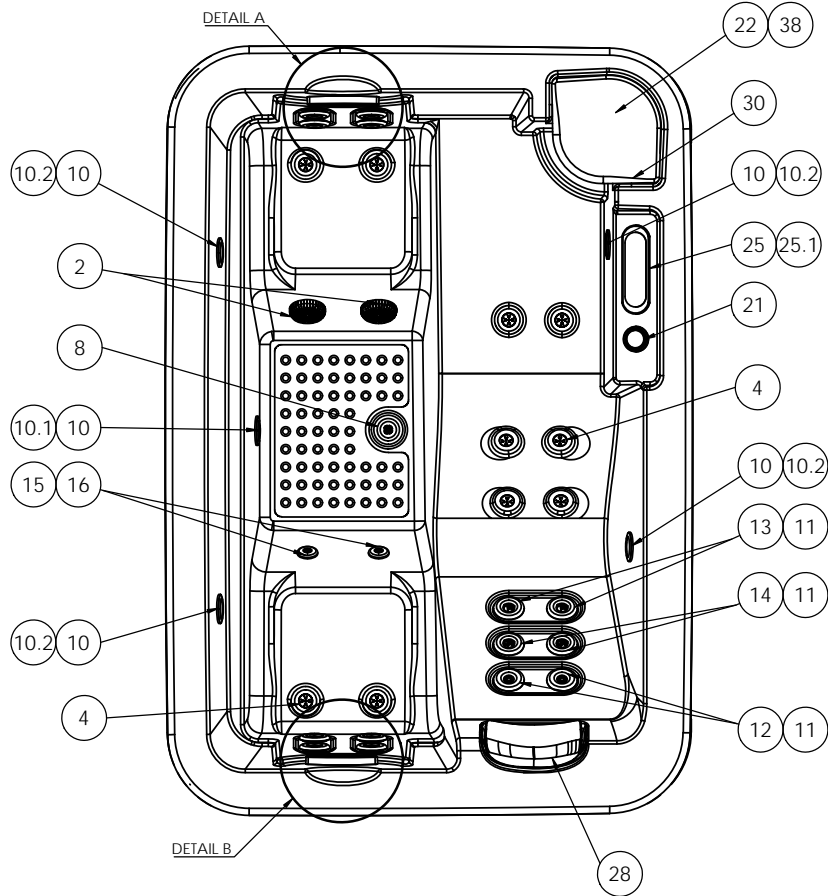
**WARNING:**  
It's essential to keep a minimum clearance access of **700mm** all around.



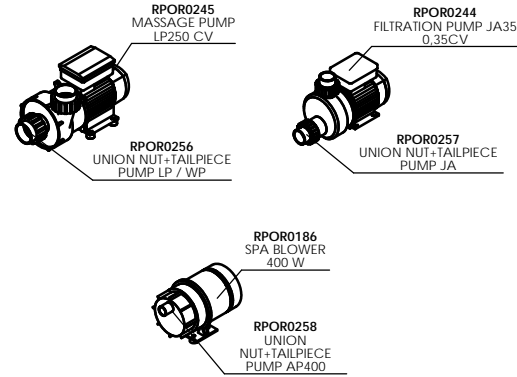
According to our policy of continuous improvement, dimensions, features or components of this product can be partially or completely changed without prior notice.  
It's Customer responsibility to verify that this is the last version of the drawing

03	03/07/2014	I.Pozo	New spare template
02	15/05/2014	I.Pozo	Change furniture and drawing views
01	03/01/2012	J.Jorba	Drawing update
00	11/04/2011	J.Jorba	Drawing creation
Change No.	Date	Name	Modification
Remarks			COMMERCIAL
Dimensions in mm. General Tolerances +/- 10mm			
Drawn	11/04/2011	J.Jorba	Part Number <b>53885</b>
Checked	--	I.Nicolas	
Scale	1:15	General Tolerance	Rev. <b>03</b>
Sheet	1/2	DIN 7168 ISO 2768g	
			First Angle Projection

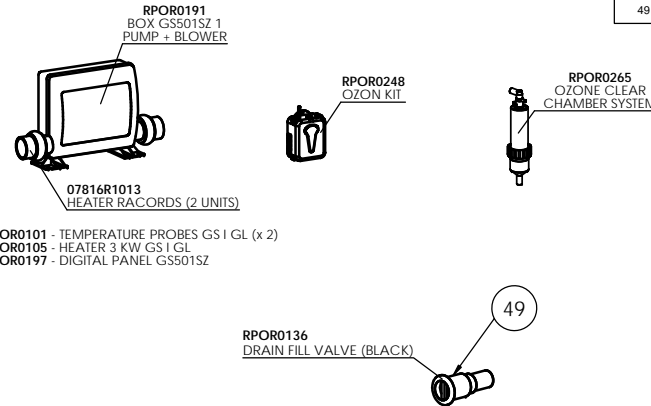




**PUMPS SPARE CODES**

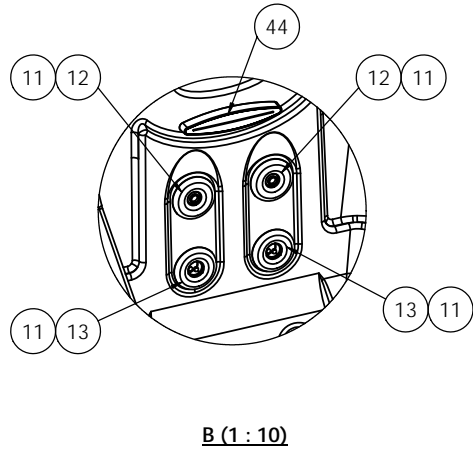
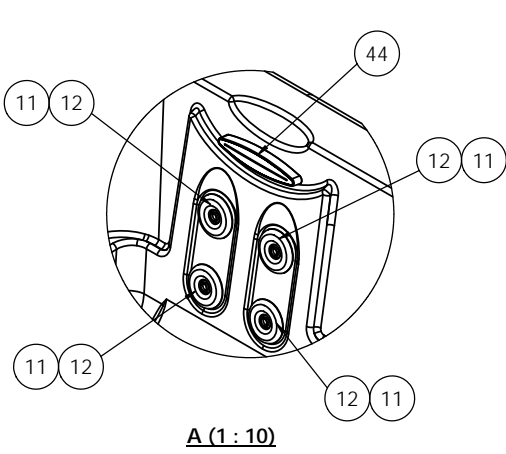


**HEATER AND DESINFECTATION SPARE CODES**



RPOR0101 - TEMPERATURE PROBES GS 1 GL (x 2)  
 RPOR0105 - HEATER 3 KW GS 1 GL  
 RPOR0197 - DIGITAL PANEL GS501SZ

ACCESSORIES			
Position Num.	Part Nº SPARE	Description SPARE	Quant.
2	RPOR0225	GREY SPA DRAIN 2" ADAPTOR SOCKET D.50	2
4	REMP0046	WHITE-STAINLESS STEEL AIR NOZZLE	10
8	RPOR0003	GREY DRAIN SET - BODY+COVER+ASSEMBLY	1
10	RPOR0239	SPOTLIGHT LED SET RD	5
10.1	RPOR0240	MASTER LED LIGHT	1
10.2	RPOR0252	LED SLAVE LIGHT	4
11	RPOR0236	JET BODY SET RD 3"	14
12	RPOR0231	FRONTAL JET 3" STAINLESS STEEL DIRECTIONAL	8
13	RPOR0232	FRONTAL JET 3" STAINLESS STEEL 1 JET ROTO	4
14	RPOR0233	FRONTAL JET 3" STAINLESS STEEL TWIN ROTO	2
15	RPOR0235	JET BODY SET RD 2"	2
16	RPOR0230	FRONTAL JET 2" STAINLESS STEEL DIRECTIONAL	2
21	RPOR0264	AROMA DISPENSER ASM LIT	1
22	RPOR0238	SKIMFILTER RD LOW PROFILE	1
25	RPOR0195	DIGITAL PANEL VL700+COVER 1 PUMP + BLOWER	1
25.1	RPOR0201	COVER DIGITAL PANEL VL700 1 PUMP + BLOWER	1
28	RPOR0032	SMALL HEADREST GREY	1
30	RPOR0156	SKIMFILTER COVER	1
38	RPOR0247	FILTER CARTRIDGE SKIMFILTER RD	1
44	RPOR0278	SS 7" WATERFALL	2
49	RPOR0136	DRAIN FILL VALVE (BLACK)	1



According to our policy of continuous improvement, dimensions, features or components of this product can be partially or completely changed without prior notice.  
 It's Customer responsibility to verify that this is the last version of the drawing

Change No.	Date	Name	Modification
03	28/10/2014	I.Pozo	New spare template
02	15/05/2014	I.Pozo	Change furniture and drawing views
01	03/01/2012	J.Jorba	Drawing update
00	11/04/2011	J.Jorba	Drawing creation

Remarks		<b>SPARE PARTS DRAWING</b>			
Dimensions in mm. General Tolerances +/- 10mm					
Drawn	11/04/2011	J.Jorba			
Checked	--	I.Nicolas			
Scale	1:15	General Tolerance			
Sheet	2/2	DIN 7168 ISO 2768g			
Part Number		53885	Rev.	03	First Angle Projection